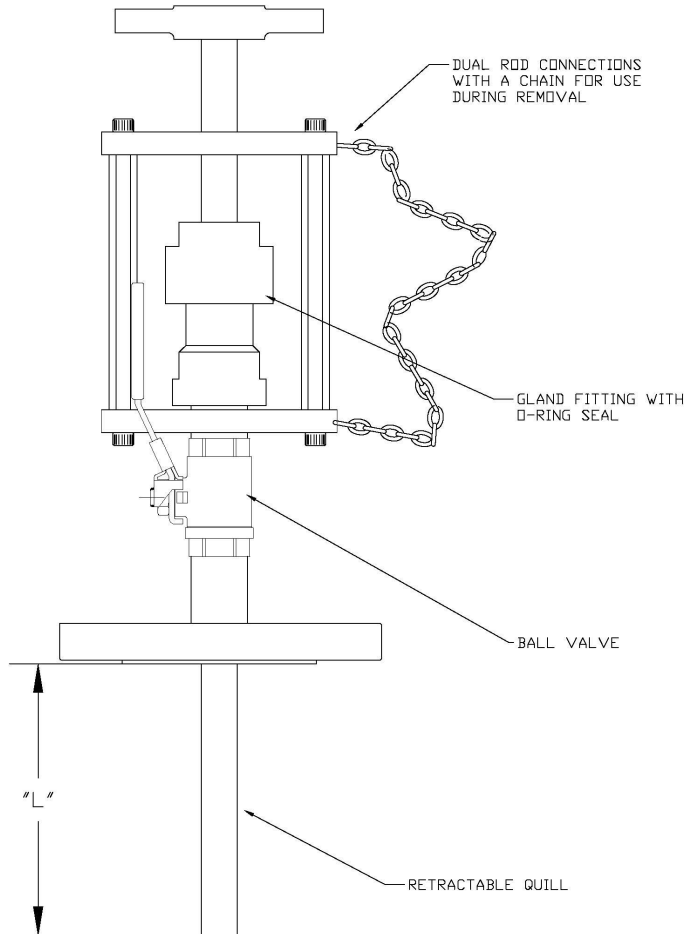


**3/4" - 2" FLANGED RETRACTABLE INJECTORS
DATA SHEET (CSF SERIES)
DESIGNED FOR FULL FLOW INJECTION FROM INJECTOR TIP**



SPECIFICATIONS

Solution tubes (quill) available in:

- PVC & CPVC
- Stainless Steel
- Hastelloy C-276
- Titanium

Valve body & gland fitting available in:

- Brass
- PVC & CPVC
- Stainless Steel

High Strength Stainless Steel Chain. Dual chains secure position of quill and allow for removal of quill. Retractable injectors over 1" include bolt assembly to hold solution tube in place.

150 psi (1034 kPa) design pressure standard up to 1" (CS-100) size. Maximum pressure recommended for 2" is 50 psi.¹ (Larger diameter and higher pressure versions are available).

While we can supply injectors with integrated check valves, in most cases we recommend retractable injectors without integrated check valves for maximum versatility. External check valves allow for the highest quality choices for your specific chemical applications.

Flexible hose assemblies are available.

Model	Threaded Connection	Solution Tube Nominal Dia.	Inlet Connection
Series	npt		npt
CSF075	3/4	3/8"	3/8"
CSF100	1	1/2"	1/2"
CSF150	1-1/2	1"	1
CSF200 (see note 1)	2	1-1/2"	1-1/2"

¹ Be aware of the large hydraulic forces that can exist with a larger diameter injection quill. With a 2" Retractable Injector, at 50 psi, there is 150 lbs. of force pushing against this quill. Injury or death could occur from these quills. When installing or retracting the quill, use appropriate equipment based upon your application to remove or install the quill for these loads.

MODEL NUMBER
EXAMPLE "CSF075BP126F"



InyoProcess

CSF 075 B P 1 2 6 F

PORT SIZE (NPT)	
3/4"	075
1"	100
1-1/2"	150
2"	200

VALVE MAT'L	
BRASS	B
STAINLESS STEEL	S
PVC	P
CPVC	C

SOLUTION TUBE MAT'L	
PVC	P
STAINLESS STEEL	S
KYNAR <small>(Kynar solution tube not available on CS075 [3/4" size])</small>	K
HASTELLOY C-276	H
TITANIUM	T
CPVC	C

FLANGE SIZE (Connection to Pipeline Side Port)	
3/4"	3/4
1"	1
2"	2
4"	4
6"	6
8"	8

FLANGE SIZE (Connection to Chemical Supply Line)	
npt thread only (no flange)	0
1/2"	1/2
3/4"	3/4
1"	1

END STYLE-- SOLUTION TUBE	
STANDARD - FLAT	F
BEVELED 45°	B

LENGTH - SOLUTION TUBE "L"	
2"	2
4"	4
6"	6
8"	8
LONGER LENGTHS AVAILABLE	

*PVC & KYNAR SOLUTION TUBES LONGER THAN 6" ARE NOT RECOMMENDED UNLESS THERE IS ADDITIONAL SUPPORT. CONTACT INYO PROCESS FOR MORE DETAIL.

All Flanges are 150#. Special sizes/types available.

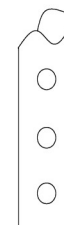
SOLUTION TUBE -END STYLE



"F"
STANDA



"B"
BEVELE



DIFFUSER
STYLE

